

# Air Curtain



---

## COMFORT

---

- 3 heat settings
- Fan only setting for air circulation
- Automatic safety cut-out for thermal overload protection
- Fitted with integral switches

---

## EASE OF INSTALLATION

---

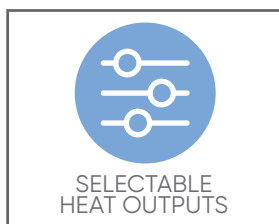
- 3kW & 4.5kW models
- Wall mounting bracket supplied
- Alternatively, the heater can be suspended, wall or trunking mounted
- Optional remote switch



A welcoming curtain of warmth for doorways in shops, hotels, offices and other commercial premises.



Site an air curtain above a frequently opened external door to help prevent heat loss and save energy.

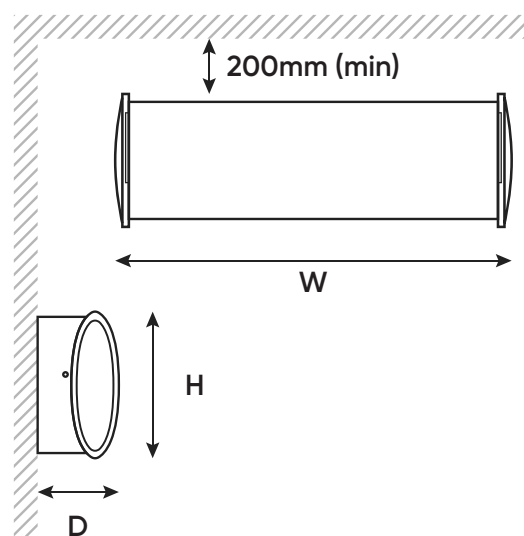


### Air Curtain Technical Data

OUTPUT (W)	DEPTH (MM)	WIDTH (MM)	HEIGHT (MM)	WEIGHT (KG)	MODEL
3000	115	634	210	5.1	AH303000
4500	115	634	210	5.1	AH304500



- 1 Inlet grill
- 2 Wall mounting bracket
- 3 Output selection



Dimensions in mm.

We reserve the right to change specification without prior notice. Please check final dimensions with your local representative before purchase.