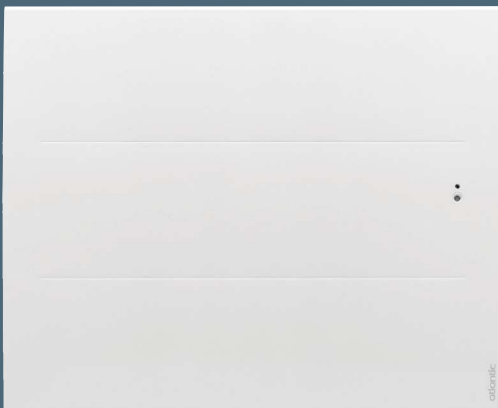


Oniris

Electric radiator

2 YEAR
WARRANTY



COMFORT

- Homogeneous and gentle heat diffusion
- Double heating element: aluminium heating element + wide heating front film
- Remote piloting through a smartphone or a tablet thanks to Cozytouch compatibility

SAVINGS

- Up to 45% energy savings* through finest digital controls, programming and absence/presence sensor
- Smart Pilot functions memorising user's life rhythm & comfort requirements to drive optimal energy savings
- Open/closed window detection function switching to Antifrost mode as soon as a window opens
- 6-command pilot wire: Comfort, Comfort - 1°C, Comfort - 2°C, Eco, Anti-frost, Off
- Energy consumption indicator for responsible & informed use of the equipment
- ErP-compliant

USER-FRIENDLINESS

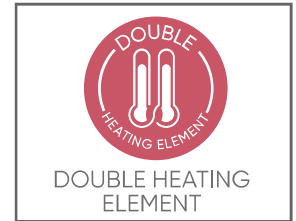
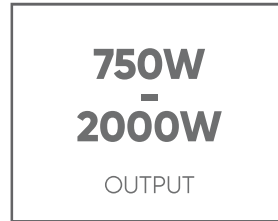
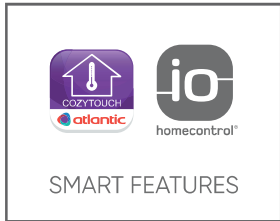
- LCD digital controls showing temperature and energy consumption
- ASP (Anti-Staining Process) to reduce staining on wall and on equipment
- Easy to install: H-shaped vertical support
- Editable integrated programming



The Oniris is a very stylish, digital, electric panel heater featuring a modern aluminum surface and heating element for warmth with style. Complete with occupancy detection, which automatically reduces heat if the room is empty, and open window detection that will switch the heater to a minimum output.



* Compared to a mechanical convector

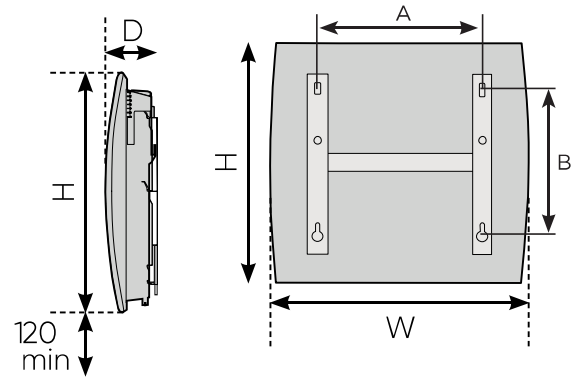


Oniris technical data

OUTPUT (W)	DEPTH (MM)	WIDTH (MM)	HEIGHT (MM)	WEIGHT (KG)	A	B	MODEL
750	110	613	615	10.8	383	351	AH503907
1000	110	761	615	13	531	351	AH503910
1250	110	909	615	15.4	679	351	AH503912
1500	110	1058	615	18	827	351	AH503915
2000	110	1205	615	20.4	975	351	AH503920



- 1 Digital thermostat
- 2 Aluminium alloy heating element
- 3 Aluminium front panel
- 4 Heating film over the whole surface
- 5 Over-temperature safety device
- 6 Room temperature sensor
- 7 Control panel



Dimensions in mm.

We reserve the right to change specification without prior notice.
Please check final dimensions with your local representative before purchase.