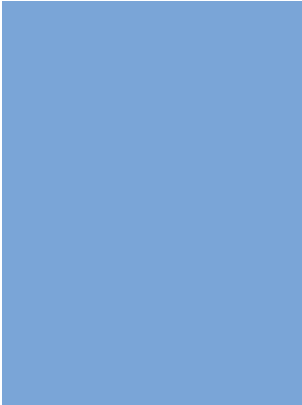


# atlantic

Experts in **Electric Heating and Hot Water**



**TOTAL  
ELECTRIC  
SOLUTIONS.**



# PRODUCT GUIDE

atlanticheat.co.uk |     



# THE FUTURE OF HOT WATER HEATING

The Atlantic Calypso is an energy efficient hot water heater which has an integrated heat pump system on the top. It has a duplex stainless steel tank body, engineered and manufactured by Gledhill, that is encased with high grade 63mm insulation, offering excellent heat retention and energy efficiency of over 300%. The Calypso:

- Is 8% more efficient than other heat pump hot water heaters on the market
- Is twice as quiet as the leading heat pump hot water heater on the market
- Has 40% thicker insulation than other heat pump hot water heaters
- Has the lowest standing heat loss on the market

Available in 172L and 210L models it is the perfect solution for new builds and apartments with its A+ ErP rating, compacted design, fast heat up times and extremely quiet heat pump system.

The Calypso is the all-in-one energy efficient heat pump water heater you have been waiting for.



ErP Rating: A+



Over 300% Efficient



Low Noise Emission: 49db



Duplex Stainless Steel Tank



Cozytouch Compatible



Integrated Air Source Heat Pump

See page 38 for more information.

# WELCOME THE NANTO FAMILY

The Nanto range can be installed either under or above the bathroom or kitchen sink, providing adaptability and space-saving solutions to suit the users needs. Designed to save energy, they feature a copper immersion heaters that are submerged in water offering faster reheat-up times and have an ErP rating A.

To minimise heat loss and increase the hot water heater's efficiency they feature a diamond enamelled tank that is surrounded by high density CFC free polyurethane foam insulation to increase the duration of the hot water within.

They come equipped with an analogue dial to quickly adjust the temperature and also allowing the user to switch between eco and vacation mode with ease. The Nanto's eco mode heats the hot water to an efficient 55°C while vacation mode drops the water heater's temperature to 7°C reducing overall energy consumption, improving the water heater's energy efficiency, and offering savings to the household owner.



ErP Rating: A



Compact Design



Vacation Mode



Under and Above Sink



Anti-corrosive Tank Protection



Diamond Quality Enamel Tank

See pages 40 & 42 for more information.



Product shown: Nanto Lite



Product shown: Nanto Plus

# CONTENTS

With over 50 years of experience in designing, engineering, and manufacturing electric heating and hot water appliances the Atlantic brand has become synonymous with premium, high efficiency products. We have built ourselves upon 11 core values that are incorporated into each of our products.

**Quality | Dynamism | Innovation | Modernity  
Premium design | Comfort | Elegance | Efficiency  
Reliability | Safety | Trust**

Atlantic has engineered and developed an extensive product range that includes panel heaters, electric radiators, towel rails and hot water cylinders. Our innovative, reliable and energy efficient product portfolio offers the perfect electric heating solutions for new builds, bungalows, flats, apartments, hotels, offices and commercial establishments.

Atlantic is dedicated to combining premium design with cutting edge technology to offer all of your total electric heating and hot water solutions.

|                      |          |
|----------------------|----------|
| <b>PANEL HEATERS</b> | <b>8</b> |
| F127                 | 10       |
| Agilia IO            | 12       |
| Oniris               | 14       |
| Sokio Horizontal     | 16       |
| Sokio Vertical       | 18       |

|                           |           |
|---------------------------|-----------|
| <b>ELECTRIC RADIATORS</b> | <b>20</b> |
| Accessio                  | 22        |
| Galapagos Horizontal      | 24        |
| Galapagos Vertical        | 26        |

|                    |           |
|--------------------|-----------|
| <b>TOWEL RAILS</b> | <b>28</b> |
| Atlantic Chrome    | 30        |
| Sensis             | 32        |

|  |           |
|--|-----------|
| <b>CYLINDERS AND HOT WATER HEATERS</b> | <b>34</b> |
| Atlantic Direct                        | 36        |
| Calypso                                | 38        |
| Nanto Lite                             | 40        |
| Nanto Plus                             | 42        |

|                         |           |
|-------------------------|-----------|
| <b>CONTROL SYSTEMS</b>  | <b>44</b> |
| Cozytouch               | 46        |
| Intelligent Programming | 48        |
| EPC and Energy Savings  | 49        |

|                      |           |
|----------------------|-----------|
| <b>SPECIFICATION</b> | <b>50</b> |
| LST                  | 52        |

# PANEL HEATERS

---

By utilising convection heating, electric panel heaters are great at warming up small rooms by heating up aluminium elements within the radiator.

Our Atlantic panel heaters are a cost-effective way of heating homes or apartments by using 100% of the energy needed to quickly warm any space.

Panel heaters are best suited for small rooms like:

**Bedrooms | Guest Rooms**  
**Home Offices | Conservatories**

# F127

## PANEL HEATER

The Atlantic F127 electric panel heater utilises convection heating to quickly warm any room and, with its simple cosmetic design, can fit into any home decor with ease.

Equipped with a range of features to make heating the home much easier, along with H-shaped vertical support to provide high-volume easy installations.



ErP Lot 20



Class II and IP24 Protection



Click & Go



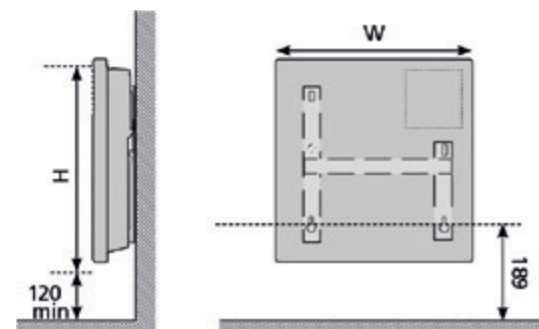
Open/Closed Window Detection



LCD Digital Control Panel



High Precision Electric Thermostat



| OUTPUT (W) | DEPTH (MM) | WIDTH (MM) | HEIGHT (MM) | WEIGHT (KG) | MODEL    |
|------------|------------|------------|-------------|-------------|----------|
| 500        | 102        | 370        | 453         | 3.8         | AH500101 |
| 750        | 102        | 370        | 453         | 3.8         | AH500106 |
| 1000       | 102        | 447        | 453         | 4.2         | AH500103 |
| 1250       | 102        | 517        | 453         | 4.4         | AH500107 |
| 1500       | 102        | 590        | 453         | 5.5         | AH500104 |
| 2000       | 102        | 740        | 453         | 6.8         | AH500105 |



**FIND OUT MORE**



# AGILIA IO

PANEL HEATER

Designed with a simplistic and modern symmetrical style, the Agilia IO can work perfectly with any home decor design with complete ease.

Engineered to be slim and compact, the Agilia IO electric panel heater combines comfort, energy, and space-saving benefits into one complete elegant radiator.



ErP Lot 20



Cozytouch Compatible



Click & Go



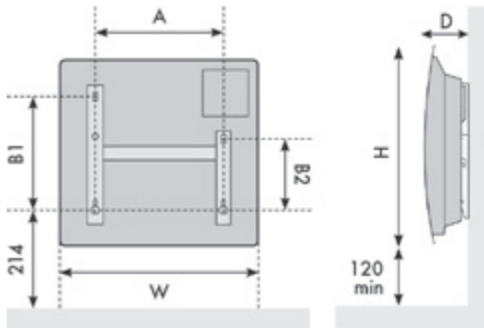
Double Heating Elements



45% Energy Savings\*



Open/Closed Window Detection



| OUTPUT (W) | DEPTH (MM) | WIDTH (MM) | HEIGHT (MM) | A     | B1  | B2    | WEIGHT (KG) | MODEL    |
|------------|------------|------------|-------------|-------|-----|-------|-------------|----------|
| 500        | 129        | 372        | 530         | 120.8 | 246 | 158.5 | 5.5         | AH503105 |
| 750        | 129        | 372        | 530         | 120.8 | 246 | 158.5 | 5.5         | AH503107 |
| 1000       | 129        | 446        | 530         | 194.8 | 246 | 158.5 | 6           | AH503110 |
| 1250       | 129        | 520        | 530         | 268.8 | 246 | 158.5 | 7.5         | AH503117 |
| 1500       | 138        | 594        | 530         | 342.8 | 246 | 158.5 | 9           | AH503115 |
| 2000       | 138        | 742        | 530         | 490.8 | 246 | 158.5 | 9           | AH503120 |

\* When compared to an analogue electric radiator

# ONIRIS

PANEL HEATER

Oniris is a modern and stylish digital electric panel heater that features fast-heating elements encased by an aluminium surface. Two smooth and curved grooves create this aesthetically pleasing panel heater design.

This heater includes occupancy detection, which automatically reduces heat if the room is empty, as well as open window detection that reduces the heater's heat output. With these features, Oniris is both efficient and convenient, making it a smart choice for any modern home.



ErP Lot 20



Cozytouch Compatible



Click & Go



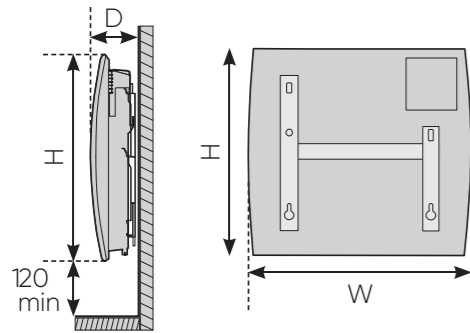
Open/Closed Window Detection



Aluminium Heating Elements



High Precision Electric Thermostat



| OUTPUT (W) | DEPTH (MM) | WIDTH (MM) | HEIGHT (MM) | WEIGHT (KG) | MODEL    |
|------------|------------|------------|-------------|-------------|----------|
| 750        | 110        | 613        | 615         | 10.8        | AH503907 |
| 1000       | 110        | 761        | 615         | 13          | AH503910 |
| 1250       | 110        | 909        | 615         | 15.4        | AH503912 |
| 1500       | 110        | 1058       | 615         | 18          | AH503915 |
| 2000       | 110        | 1205       | 615         | 20.4        | AH503920 |



FIND OUT MORE





# SOKIO HORIZONTAL

PANEL HEATER

The Sokio electric panel heater combines clean, asymmetric styling with aluminium plate technology, offering you soft, homogeneous heat.

Equipped with an LCD digital control panel and a high-precision electric thermostat, along with a programmable mode provides the user with full control and flexibility over their home heating.



ErP Lot 20



Anti Frost Mode



Aluminium Heating Element



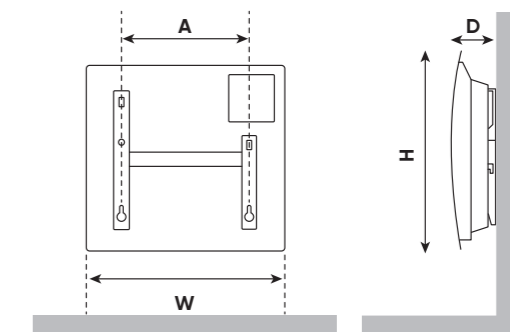
Open/Closed Window Detection



High Precision Electric Thermostat



LCD Digital Control Panel



| OUTPUT (W) | DEPTH (MM) | WIDTH (MM) | HEIGHT (MM) | A (MM) | WEIGHT (KG) | MODEL    |
|------------|------------|------------|-------------|--------|-------------|----------|
| 750        | 130        | 601        | 477         | 343    | 8.3         | AH503108 |
| 1000       | 130        | 601        | 477         | 343    | 8.3         | AH503109 |
| 1250       | 130        | 823        | 477         | 565    | 10.1        | AH503111 |
| 1500       | 130        | 823        | 477         | 565    | 10.1        | AH503113 |
| 2000       | 130        | 1045       | 477         | 787    | 13.1        | AH503114 |

# SOKIO VERTICAL

PANEL HEATER

Designed with an aluminium plate face offering even heat distribution to quickly heat up the room. The Sokio Vertical combines clean, asymmetric styling with a simplistic design to work perfectly in any modern home or establishment.



ErP Lot 20



Anti Frost Mode



Aluminium Heating Element



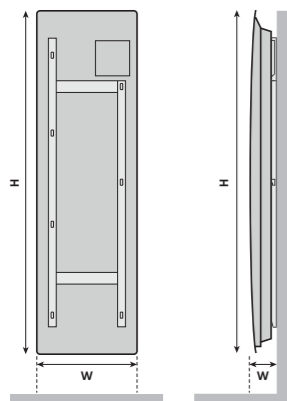
Open/Closed Window Detection



High Precision Electric Thermostat



LCD Digital Control Panel



| OUTPUT (W) | WIDTH (MM) | HEIGHT (MM) | DEPTH (MM) | WEIGHT (KG) | MODEL    |
|------------|------------|-------------|------------|-------------|----------|
| 1000       | 450        | 1350        | 135        | 12          | AH503116 |
| 1500       | 450        | 1350        | 135        | 12          | AH503117 |
| 2000       | 450        | 1575        | 135        | 15.5        | AH503118 |



**FIND  
OUT  
MORE**

# FLUID FILLED RADIATORS

---

Atlantic's fluid-filled electric radiators (also known as oil-filled electric radiators) feature built-in encased heating elements that are submerged in specially formulated heating fluid to provide incredible heat-up times.

All of our radiators are made from high-grade aluminium, which quickly heats up the room while providing a sleek and modern style, they are an excellent choice for anyone looking to improve their home's comfort and appearance.

Fluid-filled electric radiators are best suited for:

**Living room | Kitchens | Bedrooms  
Hallways | Dining Rooms**

# ACCESSIO

ELECTRIC THERMOFLUID RADIATOR

The Accessio is an easy to use electric, heat conducting fluid-filled radiator that delivers consistent long-lasting heat as a result of integral thermofluid technology. Not only that, user friendly digital controls and an electronic thermostat can help homeowners achieve energy savings of up to 25% versus conventional electric heating solutions.



ErP Lot 20



25% Energy Savings\*



Thermofluid Technology



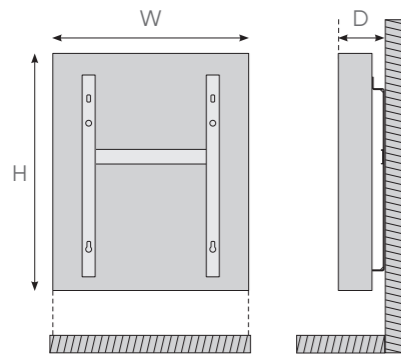
Open/Closed Window Detection



Anti-Stain Protection



High Precision Electric Thermostat



| OUTPUT (W) | DEPTH (MM) | WIDTH (MM) | HEIGHT (MM) | WEIGHT (KG) | MODEL    |
|------------|------------|------------|-------------|-------------|----------|
| 300        | 127        | 410        | 575         | 8.5         | AH524903 |
| 500        | 127        | 410        | 575         | 8.5         | AH524905 |
| 750        | 127        | 490        | 575         | 9.9         | AH524907 |
| 1000       | 127        | 490        | 575         | 9.9         | AH524910 |
| 1250       | 127        | 651        | 575         | 13.2        | AH524912 |
| 1500       | 127        | 732        | 575         | 14.8        | AH524915 |
| 2000       | 127        | 973        | 575         | 19.7        | AH524920 |

\* When compared to an analogue electric radiator



FIND OUT MORE



# GALAPAGOS HORIZONTAL

ELECTRIC THERMOFLUID RADIATOR

The Galapagos Horizontal is a stylish and modern fluid-filled electric radiator. Its smooth, curved horizontal aluminium panels distribute heat evenly across its entire surface for fast heating times, making it both efficient and effective.



ErP Lot 20



Cozytouch Compatible



Thermofluid Technology



Open/Closed Window Detection



Class II and IP24 Protection

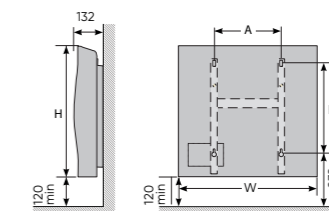


High Precision Electric Thermostat

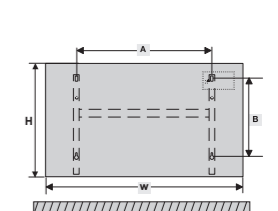


FIND OUT MORE

## HORIZONTAL



## LOW HEIGHT



| HORIZONTAL |            |            |             |             |     |     |             |                |
|------------|------------|------------|-------------|-------------|-----|-----|-------------|----------------|
| OUTPUT (W) | DEPTH (MM) | WIDTH (MM) | HEIGHT (MM) | WEIGHT (KG) | A   | B   | WHITE MODEL | GREYSTAR MODEL |
| 750        | 130        | 670        | 590         | 12.4        | 300 | 354 | AH500607    | AH501845       |
| 1000       | 130        | 770        | 590         | 14.4        | 400 | 354 | AH500610    | AH501846       |
| 1250       | 130        | 970        | 590         | 18.4        | 600 | 354 | AH500612    | AH501847       |
| 1500       | 130        | 1070       | 590         | 20.4        | 700 | 354 | AH500615    | AH501848       |
| 2000       | 130        | 1370       | 590         | 26.4        | 800 | 354 | AH500620    | AH501849       |
| LOW HEIGHT |            |            |             |             |     |     |             |                |
| OUTPUT (W) | DEPTH (MM) | WIDTH (MM) | HEIGHT (MM) | WEIGHT (KG) | A   | B   | WHITE MODEL | GREYSTAR MODEL |
| 700        | 133        | 771        | 388         | 11          | 400 | 158 | AH502907    | AH501853       |
| 1000       | 133        | 971        | 388         | 15          | 600 | 158 | AH502910    | AH501854       |
| 1400       | 133        | 1371       | 388         | 21          | 800 | 158 | AH502915    | AH501855       |

# GALAPAGOS VERTICAL

ELECTRIC THERMOFLUID RADIATOR

Designed to be modern, stylish, and elegant, the Galapagos features smart control functionality and offers up to 45% energy savings through its Cozytouch control functionality and open/closed window detection. With its advanced heating capabilities and energy-efficient design, it is the perfect addition to any home looking to enhance both its comfort and style.



ErP Lot 20



Cozytouch Compatible



Thermofluid Technology



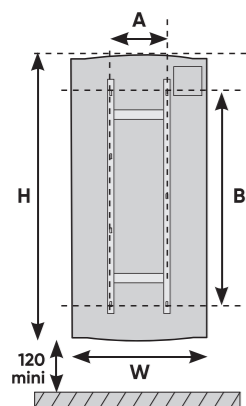
Open/Closed Window Detection



Class II and IP24 Protection



High Precision Electric Thermostat



| OUTPUT (W) | DEPTH (MM) | WIDTH (MM) | HEIGHT (MM) | WEIGHT (KG) | A   | B    | WHITE MODEL | GREYSTAR MODEL |
|------------|------------|------------|-------------|-------------|-----|------|-------------|----------------|
| 1000       | 133        | 460        | 1290        | 24          | 320 | 1021 | AH501310    | AH501850       |
| 1500       | 133        | 460        | 1590        | 29          | 320 | 1321 | AH501315    | AH501851       |
| 1800       | 133        | 460        | 1800        | 33          | 320 | 1521 | AH501320    | AH501852       |



FIND OUT MORE

# TOWEL RAILS

---

A must-have in all modern homes and apartments, our electric towel rails feature heating elements that are built into the towel rail and are heated directly from the mains to offer incredibly fast heating times.

Our towel rails are perfect for:

**Bathrooms | En-Suite Bathroom | Kitchens**

# ATLANTIC CHROME

ELECTRIC TOWEL RAIL

The Atlantic Chrome towel rail uses thermofluid technology to deliver fast homogeneous long-lasting heat. Incorporating a 2-hour boost mode and a 24-hour automatic mode, with a heating light indicator offering complete comfort. Designed to be modern and easy to install, the Atlantic Chrome towel rail features 3 wall fittings for fast and easy installation.



ErP Lot 20



25% Energy Savings\*



Thermofluid Technology



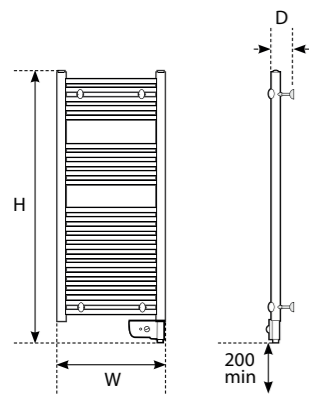
Boost Function



Easy Installation



2 Year Warranty



| OUTPUT (W) | DEPTH (MM) | WIDTH (MM) | HEIGHT (MM) | WEIGHT (KG) | MODEL    |
|------------|------------|------------|-------------|-------------|----------|
| 300        | 500        | 63         | 910         | 11.7        | AH571714 |
| 500        | 480        | 63         | 1445        | 16.5        | AH571716 |

\* When compared to an analogue electric radiator



FIND OUT MORE





FIND  
OUT  
MORE

# SENSIS

ELECTRIC TOWEL RAIL

The Sensis electric towel rail features our specially formulated thermofluid technology, offering fast heat-up times and gentle, soft heat distribution. Designed with comfort and simplicity in mind, it includes an integrated programmer and adjustable thermostat, providing the user with full heating flexibility.



ErP Lot 20



25% Energy Savings\*



Thermofluid Technology



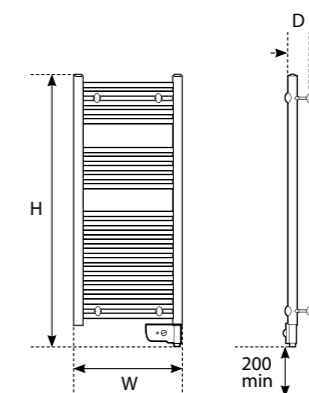
Boost Function



Digital Display



2 Year Warranty



| OUTPUT (W) | DEPTH (MM) | WIDTH (MM) | HEIGHT (MM) | WEIGHT (KG) | MODEL    |
|------------|------------|------------|-------------|-------------|----------|
| 200        | 83         | 400        | 687         | 6           | AH100836 |
| 300        | 83         | 500        | 694         | 7           | AH100837 |
| 500        | 83         | 500        | 984         | 9           | AH100838 |

\* When compared to an analogue electric radiator

# CYLINDERS AND HOT WATER HEATERS

---

Our Atlantic hot water cylinders and heaters offer space saving efficiency and complete versatility and perfect for installing in apartments and new build properties. Designed with energy efficiency in mind, our range of hot water cylinders and heaters offer ErP rating from C to A+ and use high density CFC free polyurethane foam insulation to reduce heat loss and running costs.

Our cylinders and hot water heaters are the perfect solution for:

**New Build Homes | Apartments  
Small Businesses | Private Landlords**

# ATLANTIC DIRECT

HOT WATER CYLINDER

The Atlantic Direct is an unvented hot water cylinder engineered from high-grade duplex stainless steel. It has been specifically designed to work efficiently with electricity from the mains or heat generated from photovoltaic panels to produce hot water for domestic households.



ErP Rating: C



Flat Top Design



Wide Base



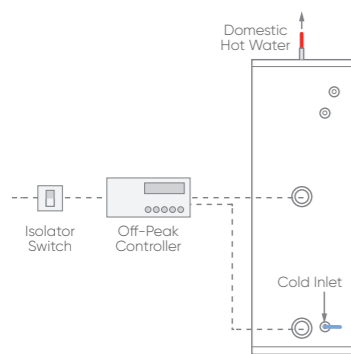
Aligned Tapping



Solar Photovoltaic



Colour Matched Components



| CAPACITY (L) | HEIGHT (MM) | DIAMETER (MM) | WEIGHT EMPTY (KG) | WEIGHT FULL (KG) | HEAT UP TIME (MIN) | HEAT LOSS (W) | NUMBER OF IMMERSIONS | SECONDARY RETURN | MODEL  |
|--------------|-------------|---------------|-------------------|------------------|--------------------|---------------|----------------------|------------------|--------|
| 91           | 764         | 550           | 18                | 109              | 90                 | 32            | 1                    | NO               | 239547 |
| 119          | 931         | 550           | 21                | 140              | 119                | 39            | 2                    | NO               | 239549 |
| 148          | 1118        | 550           | 25                | 173              | 150                | 47            | 2                    | NO               | 239550 |
| 178          | 1306        | 550           | 28                | 206              | 179                | 55            | 2                    | NO               | 239551 |
| 208          | 1494        | 550           | 32                | 240              | 209                | 62            | 2                    | YES              | 239552 |
| 248          | 1744        | 550           | 36                | 284              | 249                | 74            | 2                    | YES              | 239553 |
| 287          | 1990        | 550           | 41                | 328              | 299                | 86            | 2                    | YES              | 239554 |



FIND OUT MORE



# CALYPSO

HEAT PUMP HOT WATER HEATER



FIND OUT MORE

Utilising heat pump technology to efficiently heat hot water, the Calypso features an adjustable air inlet and outlets to provide easy installation and is Cozytouch compatible allowing users to control the Calypso from their smart device with ease.



ErP Rating: A+



Over 300% Efficient



Low Noise Emission: 49db



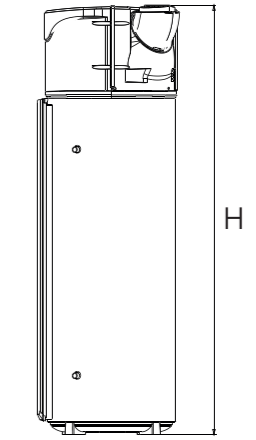
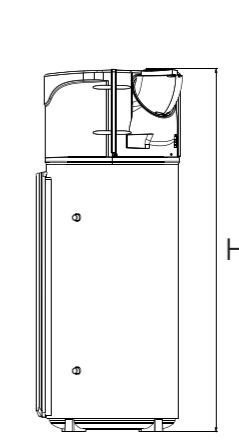
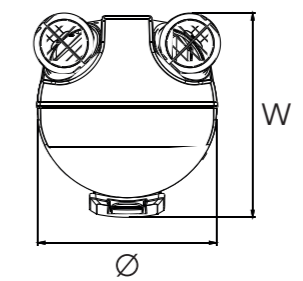
Duplex Stainless Steel Tank



Cozytouch Compatible



Integrated Air Source Heat Pump



| SIZE (L) | HEIGHT (MM) | WIDTH (MM) | DIAMETER (MM) | WEIGHT (KG) | HEATING TIME (10°C TO 54°C) | HEAT LOSS (kWhr/24hr) | COP  | MODEL    |
|----------|-------------|------------|---------------|-------------|-----------------------------|-----------------------|------|----------|
| 172      | 1700        | 695        | 605           | 83.6        | 5H 48                       | 1.23                  | 3.15 | AH876509 |
| 210      | 1940        | 695        | 605           | 84          | 7H 18                       | 1.39                  | 3.02 | AH886123 |

# NANTO LITE

HOT WATER HEATER

The Atlantic Nanto Lite is a highly-efficient unvented hot water heater designed with both space-saving and energy-saving features. The unit is engineered to provide hot water almost instantly at the point of use, making it perfect for those seeking convenience and comfort.

The Nanto Lite features a diamond-quality enamel glass tank that is both durable and long-lasting, and incorporates magnesium anodes to provide added protection and increase the lifespan of the tank by up to 50%. With its sleek design and energy-efficient features, the Atlantic Nanto Lite is the ideal choice for homeowners looking to upgrade their hot water system.



ErP Rating: A



Compact Design



Vacation Mode



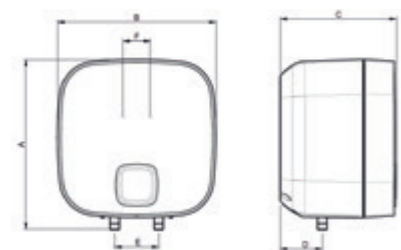
Under and Above Sink



Anti-corrosive Tank Protection



Diamond Quality Enamel Tank



| MODEL      | TANK SIZE (L) | OUTPUT (W) | HEIGHT (MM) | WIDTH (MM) | DEPTH (MM) | NET WEIGHT (KG) | HEAT UP TIME =50°C (MIN) | HEAT UP TIME =35°C (MIN) | ENERGY CONSUMPTION (kWhr/24hr) | ErP |
|------------|---------------|------------|-------------|------------|------------|-----------------|--------------------------|--------------------------|--------------------------------|-----|
| UNDER SINK |               |            |             |            |            |                 |                          |                          |                                |     |
| AH821547   | 10            | 2000       | 378         | 360        | 262        | 6.9             | 18                       | 12                       | 0.48                           | B   |
| AH821549   | 15            | 2000       | 378         | 360        | 321        | 8               | 27                       | 18                       | 0.58                           | B   |
| ABOVE SINK |               |            |             |            |            |                 |                          |                          |                                |     |
| AH821546   | 10            | 2000       | 378         | 360        | 262        | 6.9             | 18                       | 12                       | 0.48                           | A   |
| AH821548   | 15            | 2000       | 378         | 360        | 321        | 8               | 27                       | 18                       | 0.58                           | A   |



FIND OUT MORE



# NANTO PLUS

HOT WATER HEATER

Utilizing a modern, sleek cubic design, and digital temperature display the Nanto Plus provides a luxurious black and white monochrome finish and complete versatility for installation.

The Nanto Plus can be installed either under or above the bathroom or kitchen sink, providing space-saving solutions. The Nanto Plus features a diamond-quality enamel glass tank, incorporated with a magnesium anode to strengthen the tank's protection and increase its lifespan by up to 50%.



ErP Rating: A



Compact Design



Vacation Mode



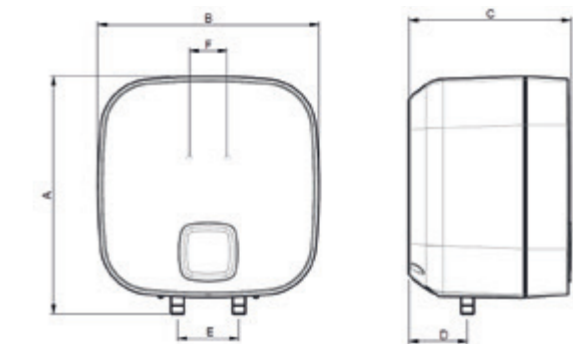
Under and Above Sink



Anti-corrosive Tank Protection



Diamond Quality Enamel Tank



FIND OUT MORE

| MODEL      | TANK SIZE (L) | OUTPUT (W) | HEIGHT (MM) | WIDTH (MM) | DEPTH (MM) | NET WEIGHT (KG) | HEAT UP TIME =50°C (MIN) | HEAT UP TIME =35°C (MIN) | ENERGY CONSUMPTION (kWhr/24hr) | ErP |
|------------|---------------|------------|-------------|------------|------------|-----------------|--------------------------|--------------------------|--------------------------------|-----|
| UNDER SINK |               |            |             |            |            |                 |                          |                          |                                |     |
| AH821551   | 10            | 2000       | 378         | 360        | 262        | 6.9             | 18                       | 12                       | 0.48                           | B   |
| AH821553   | 15            | 2000       | 378         | 360        | 321        | 8               | 27                       | 18                       | 0.58                           | B   |
| ABOVE SINK |               |            |             |            |            |                 |                          |                          |                                |     |
| AH821550   | 10            | 2000       | 378         | 360        | 262        | 6.9             | 18                       | 12                       | 0.48                           | A   |
| AH821552   | 15            | 2000       | 378         | 360        | 321        | 8               | 27                       | 18                       | 0.58                           | A   |

# CONTROL SYSTEMS

---

Our control system appliances provide connectivity to all compatible Atlantic electric heating systems in the house. The end-user can control their home heating system from their smartphone or tablet, as well as access real-time monitoring of energy consumption, absence detection, and open window detection.

# COZYTOUCH

CONTROL SYSTEM

Cozytouch is a home heating control device that offers connectivity to all compatible Atlantic electric heating systems in the house. Offering simplicity and ease to the user, the Cozytouch offers the use the ability to control their heating applicable remotely whilst providing real time monitoring capabilities, energy consumption, absence and open window detection.



Compact Design



Versatile Design



Wireless Control



Real Time Monitoring Capabilities



Temperature Room Zone Control



Savings Report Overview

| LENGTH (MM) | WIDTH (MM) | DEPTH (MM) | WEIGHT (G) | MODEL    |
|-------------|------------|------------|------------|----------|
| 172         | 72         | 16         | 133        | AH001231 |

## COMPATIBLE PRODUCTS

| AGILIA IO   | ONIRIS  | GALAPAGOS   | CALYPSO   |
|---|---|---|---|
|  |  |  |  |



**FIND OUT MORE**



# COZYTOUCH: INTELLIGENT PROGRAMMING

Atlantic's range of Cozytouch compatible electric heating appliances features built-in motion sensor technology on the front of each unit. This allows the electric radiator to detect whether someone is in the room and automatically adjust itself to the ideal temperature. If the system detects no movement within the room, the electric heating appliance will automatically lower its temperature output to an economy setting, reducing energy consumption and running costs.

Setting up the Cozytouch system is simple, with no complicated programming required. During the first week of operation, the Cozytouch electric radiator scans and monitors the room to detect patterns of usage and builds an intelligent daily schedule based on these patterns.

This means that each room (or zone) is warmed up before it becomes occupied, providing comfort and luxury with ease. The Cozytouch smart system repeats its automatic daily and weekly scans to continuously adapt to the user's lifestyle.

In addition to this, Cozytouch also provides the user with real-time monitoring capabilities and full control over their heating. The user can remotely control each appliance individually within the property, making it easy to adjust heating settings and reduce energy usage.



# IMPROVING YOUR EPC AND ENERGY SAVINGS

## Lighting

LED bulbs are a highly energy efficient way to light a room using up to 90% less energy and lasting up to 25 times longer when compared to incandescent or halogen bulbs. Using LED bulbs can add a positive impact to your EPC rating and potentially save you up to £232 a year.<sup>1</sup>

## Loft Insulation

Improving your loft and home insulation is one of the best things to do to help reduce heat loss and improve your EPC rating. Adding 270mm of insulation to your loft and home will help improve heat retention within the property and can help save up to £395 a year.<sup>2</sup>

## Double Glazing

Upgrade your windows to double glazing can help improve your properties' energy performance and help reduce noise. Installing double glazing can reduce heat loss by 54% and could save up to £235 a year.<sup>3</sup>

## Chimney Capping

Did you know 60% of UK houses were built in the 1960's with chimneys? Chimneys waste up to 90% of the home heat due to emitting the heat through the chimney into the open environment. Capping the chimney is a quick and simple solution to increase the properties heat retention and help provide cost savings as well as improve your EPC rating.<sup>4</sup>

<sup>1</sup> Information source: energy.gov, evergreenenergy.co.uk and which.co.uk

<sup>2</sup> Information source: evergreenenergy.co.uk

<sup>3</sup> Information source: energysavingtrust.co.uk

<sup>4</sup> Information source: chimella.com

# SPECIFICATION

---

Designed with energy efficiency and cost saving functionality in mind, our range of electric heating solutions have been engineered for the specification market.

Our range of electric heating solutions for the specification market has been designed and engineered specially to offer energy efficiency and cost saving solutions.

Built to the specification regulations, our range of electric heating solutions are best suited for:

**Shops | Offices | Hotels | NHS Locations**

# LST

## LOW SURFACE TEMPERATURE PANEL HEATER

The LST (Low Surface Temperature) electric radiator is a convector heater specifically designed to comply with the NHS Health Estate Guidelines.

The inbuilt safety functions and modulating fan speed\* ensures that the LST only ever achieves a maximum surface temperature of 43°C. The concealed digital controls allow for 24hour/7 day programming along with boost and setback options



Child Lock Function



Anti Frost Mode



LED Indicator



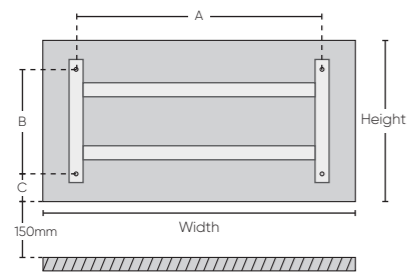
Open/Closed Window Detection



High Precision Electric Thermostat



LCD Digital Control Panel



| OUTPUT (W) | WIDTH (MM) | HEIGHT (MM) | DEPTH (MM) | WEIGHT (KG) | MODEL    |
|------------|------------|-------------|------------|-------------|----------|
| 500        | 832        | 430         | 93         | 5.5         | AH225449 |
| 750        | 1195       | 430         | 93         | 5.5         | AH225450 |
| 1000       | 640        | 430         | 93         | 6.0         | AH219456 |
| 1500       | 892        | 430         | 93         | 8.0         | AH219457 |



FIND OUT MORE



# atlantic

Experts in **Electric Heating and Hot Water**

atlanticheat.co.uk |     

T: 03330 040392

E: enquiries@atlantic-heat.co.uk

Atlantic | PO Box 103, National Avenue,  
Kingston Upon Hull, HU5 4JN

 **GROUPE  
ATLANTIC**  
UK, ROI & NORTH AMERICA DIVISIONS